

# Drop Inlet Filter (DIF)

## Gutter Bin® stormwater filtration system



### CERTIFIED:

- ✓ Full Trash Capture
- ✓ Vector Control Accessible

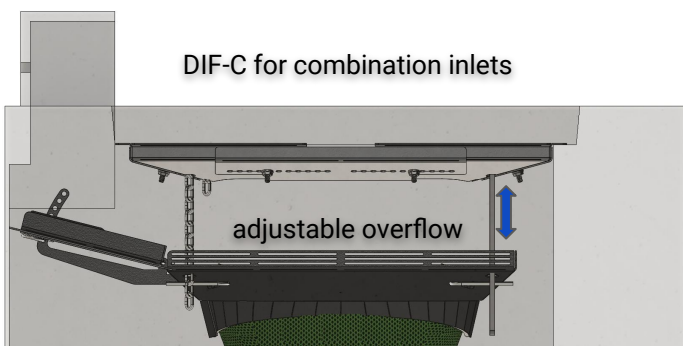
The patented Gutter Bin Drop Inlet Filter removes pollution from stormwater. It accepts the full line of Mundus Bag® water filters. The Mundus Bag can remove trash, microplastics, sediment, oils, greases and heavy metals to help protect and restore watersheds.

### Product Highlights

- Adjustable design fits most any size drop inlet or combo inlet with bent or flat frame (Type 13 & 16)
- Largest adjustable overflow on the market
- Stainless steel construction
- HS-20 load rated - installs below existing storm grate
- Easily removed for maintenance or TV camera access
- Optional sampling port - can be used for vector control
- Variable depth for deep or shallow catch basins
- Rectangular and round models
- Can be used in conjunction with connector pipe screens (CPS) and automatic retractable screens (ARS)
- Excellent pre-filter solution for other downstream filtration or infiltration systems
- 3-year limited warranty

### Install and Service

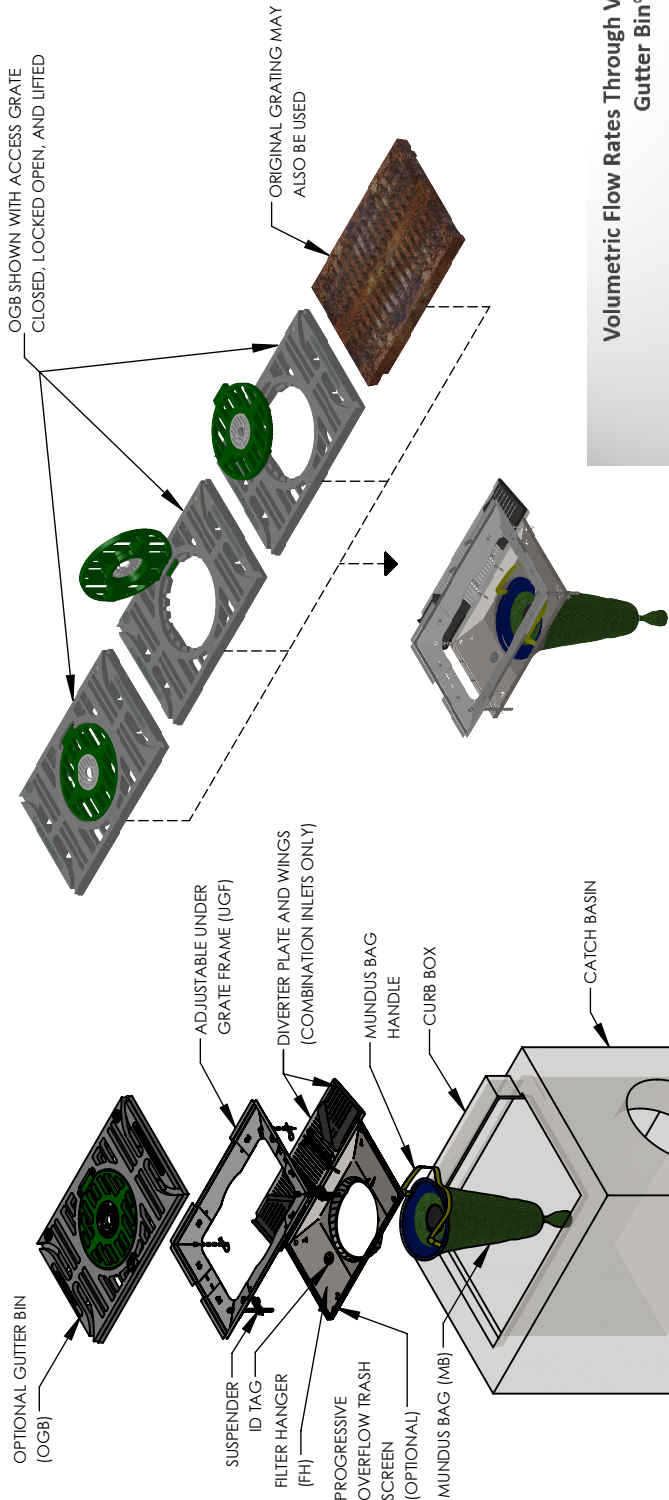
- 5 minute install - **no** confined space entry, catch basin retrofit, or drilling required
- Servicing performed in 2 minutes or less
- Service interval depends upon climate, pollutant load & infrastructure
- Vacuum truck compatible



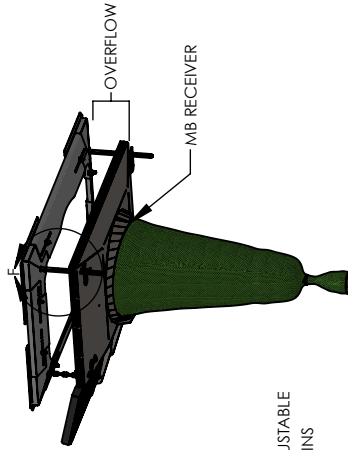
800 West Yellowstone Hwy  
Casper, Wyoming 82601 USA  
307.797.7720  
heya@frogcreek.partners  
<https://frogcreek.partners>

DUNS #: 080457762 | CAGE: 7RLA3

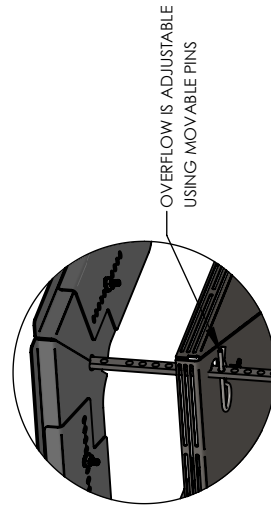
DIF - for round drop inlets



**INSTALLED VIEW**

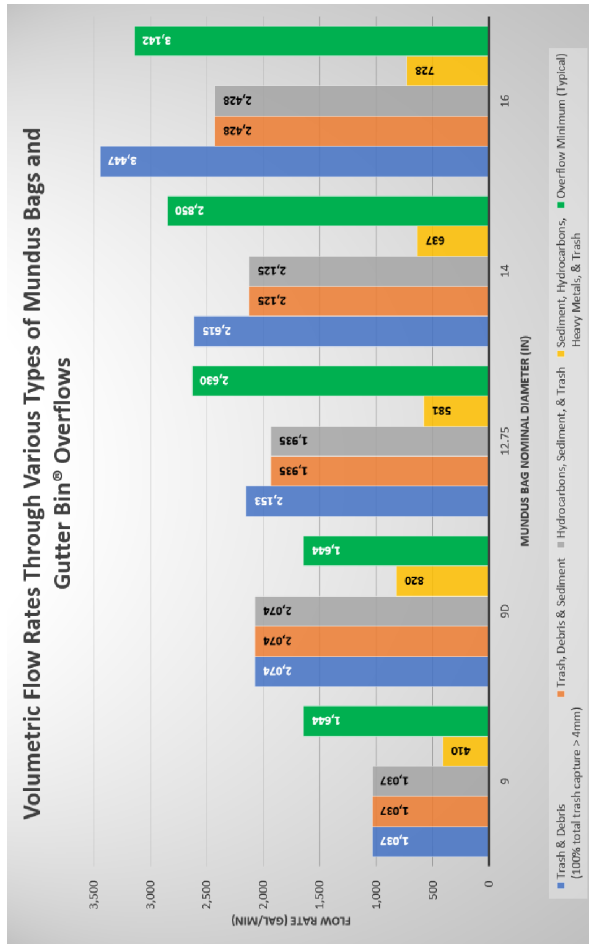


**EXPLODED VIEW**



OVERFLOW IS ADJUSTABLE USING MOVABLE PINS

DETAIL F



**CONFIDENTIAL PATENT PENDING** SHEET 1 OF 1

<b>COMPONENT</b>	DESCRIPTION GUTTER BIN® ECO DROP INLET FILTER (FOR COMBO INLETS) (DIF-C) FIELD ASSEMBLY
ITEM NUMBER	
MATERIAL	
MATERIAL FINISH	
WEIGHT lbs.	
NOTES	
DRAWING TITLE	GUTTER BIN® ECO DROP INLET FILTER (FOR COMBO INLETS) (DIF-C) PRODUCT DRAWING
DRAWN BY	TJS
CHECKED BY	BRD
DATE	5/10/2019
SCALE	1:16
SIZE	DONT SCALE DRAWING

REV	DATE	INITIALS	NOTES
<b>DIMENSIONS/TOLERANCES</b>			
UNLESS OTHERWISE NOTED			
DIMENSIONS ARE IN INCHES			
TWO DECIMAL			
THREE DECIMAL			
ANGLE			
PROJECT REV			CUSTOMER
1.4.1			



**FROG CREEK PARTNERS**  
 Ph. (307) 439-9570  
 www.frogcreekpartners.com  
 brian@frogcreekpartners.com